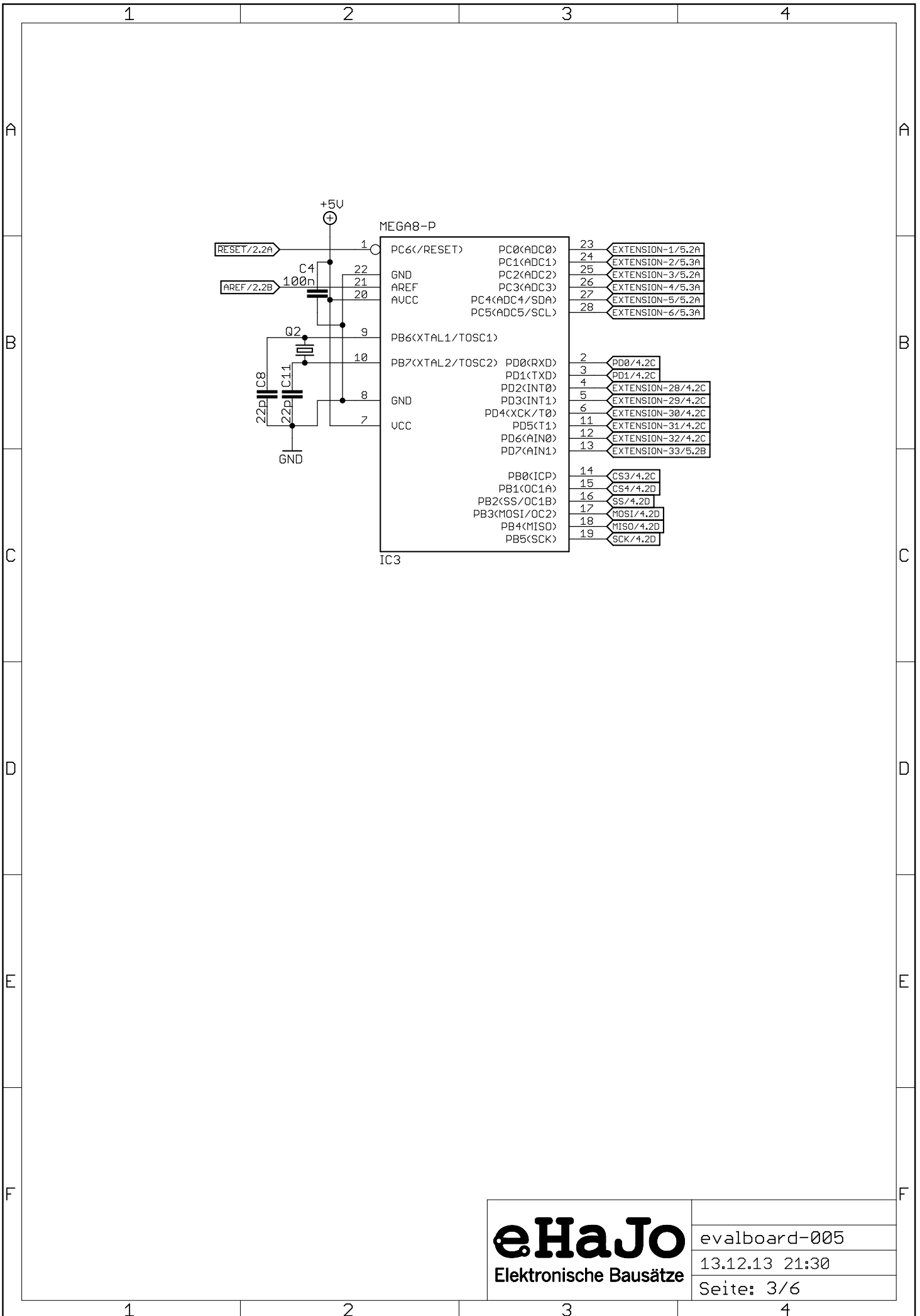


IC4

|       |                |    |                   |
|-------|----------------|----|-------------------|
| RESET | (ADC7)PA7      | 33 | EXTENSION-8/5.3A  |
|       | (ADC6)PA6      | 34 | EXTENSION-7/5.2A  |
|       | (ADC5)PA5      | 35 | EXTENSION-6/3.3B  |
|       | (ADC4)PA4      | 36 | EXTENSION-5/3.3B  |
|       | (ADC3)PA3      | 37 | EXTENSION-4/3.3B  |
|       | (ADC2)PA2      | 38 | EXTENSION-3/3.3B  |
|       | (ADC1)PA1      | 39 | EXTENSION-2/3.3B  |
|       | (ADC0)PA0      | 40 | EXTENSION-1/3.3B  |
|       | (SCK)PB7       | 8  | SCK/3.3C          |
|       | (MISO)PB6      | 7  | MISO/3.3C         |
|       | (MOSI)PB5      | 6  | MOSI/3.3C         |
|       | (SS)PB4        | 5  | SS/3.3C           |
|       | (AIN1/OC0)PB3  | 4  | CS4/3.3C          |
|       | (AIN0/INT2)PB2 | 3  | CS3/3.3C          |
|       | (T1)PB1        | 2  | CS2/4.2C          |
|       | (T0/XCK)PB0    | 1  | CS1/4.2C          |
|       | (TOSC2)PC7     | 29 | EXTENSION-25/5.2B |
|       | (TOSC1)PC6     | 28 | EXTENSION-24/5.3B |
|       | (TDI)PC5       | 27 | EXTENSION-23/5.2B |
|       | (TDO)PC4       | 26 | EXTENSION-22/5.3B |
|       | (TMS)PC3       | 25 | EXTENSION-21/5.2B |
|       | (TCK)PC2       | 24 | EXTENSION-19/5.2B |
|       | (SDA)PC1       | 23 | EXTENSION-18/5.3B |
|       | (SCL)PC0       | 22 | EXTENSION-17/5.2B |
|       | (OC2)PD7       | 21 | EXTENSION-33/3.3C |
|       | (ICP)PD6       | 20 | EXTENSION-32/3.3B |
|       | (OC1A)PD5      | 19 | EXTENSION-31/3.3B |
|       | (OC1B)PD4      | 18 | EXTENSION-30/3.3B |
|       | (INT1)PD3      | 17 | EXTENSION-29/3.3B |
|       | (INT0)PD2      | 16 | EXTENSION-28/3.3B |
|       | (TXD)PD1       | 15 | PD1/3.3B          |
|       | (RXD)PD0       | 14 | PD0/3.3B          |

MEGA16-P



1 2 3 4

A

A

B

B

C

C

D

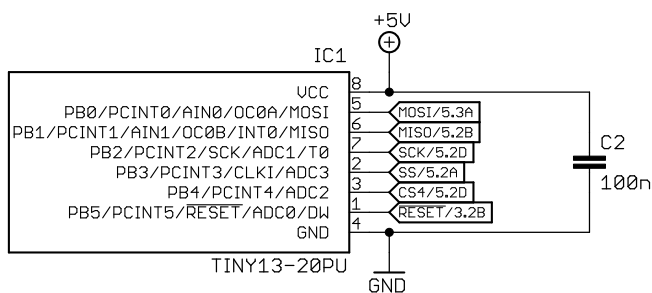
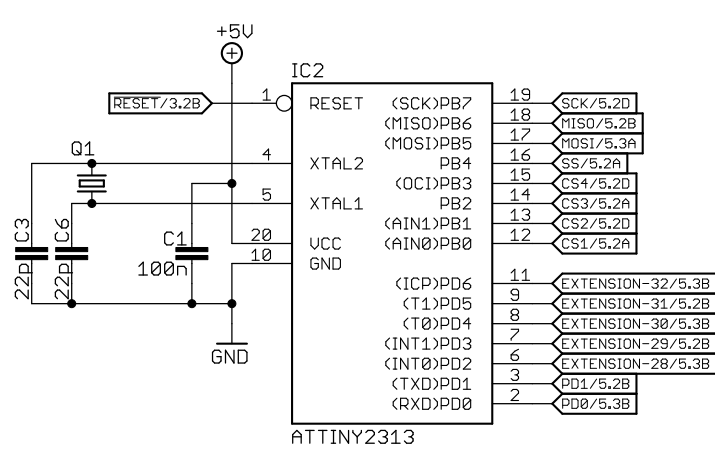
D

E

E

F

F



1 2 3 4

