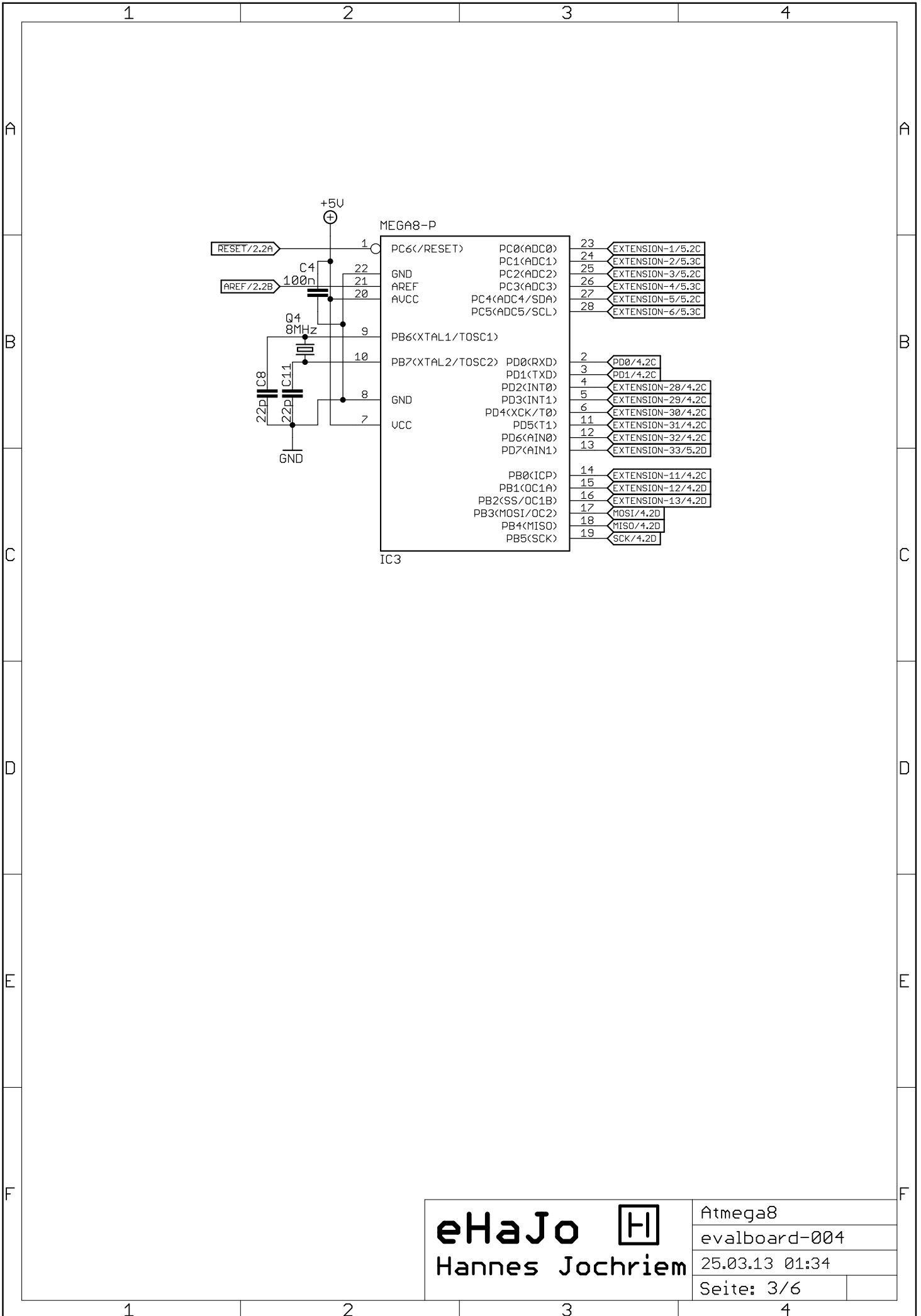


Pin	Function	Extension
9	RESET	
12	+5V	
13	XTAL1	
32	AREF	
30	AUCC	
31	GND	
10	UCC	
11	GND	
33	<ADC7>PA7	EXTENSION-8/5.3C
34	<ADC6>PA6	EXTENSION-7/5.2C
35	<ADC5>PA5	EXTENSION-6/3.3B
36	<ADC4>PA4	EXTENSION-5/3.3B
37	<ADC3>PA3	EXTENSION-4/3.3B
38	<ADC2>PA2	EXTENSION-3/3.3B
39	<ADC1>PA1	EXTENSION-2/3.3B
40	<ADC0>PA0	EXTENSION-1/3.3B
8	<SCK>PB7	SCK/3.3C
7	<MISO>PB6	MISO/3.3C
6	<MOSI>PB5	MOSI/3.3C
5	<SS>PB4	EXTENSION-13/3.3C
4	<AIN1/OC0>PB3	EXTENSION-12/3.3C
3	<AIN0/INT2>PB2	EXTENSION-11/3.3C
2	<T1>PB1	EXTENSION-10/4.2C
1	<T0/XCK>PB0	EXTENSION-9/4.2C
29	<TOSC2>PC7	EXTENSION-25/5.2C
28	<TOSC1>PC6	EXTENSION-24/5.3C
27	<TDI>PC5	EXTENSION-23/5.2C
26	<TDO>PC4	EXTENSION-22/5.3C
25	<TMS>PC3	EXTENSION-21/5.2C
24	<TCK>PC2	EXTENSION-19/5.2C
23	<SDA>PC1	EXTENSION-18/5.3C
22	<SCL>PC0	EXTENSION-17/5.2C
21	<OC2>PD7	EXTENSION-33/3.3C
20	<ICP>PD6	EXTENSION-32/3.3B
19	<OC1A>PD5	EXTENSION-31/3.3B
18	<OC1B>PD4	EXTENSION-30/3.3B
17	<INT1>PD3	EXTENSION-29/3.3B
16	<INT0>PD2	EXTENSION-28/3.3B
15	<TXD>PD1	PD1/3.3B
14	<RXD>PD0	PD0/3.3B

MEGA16-P

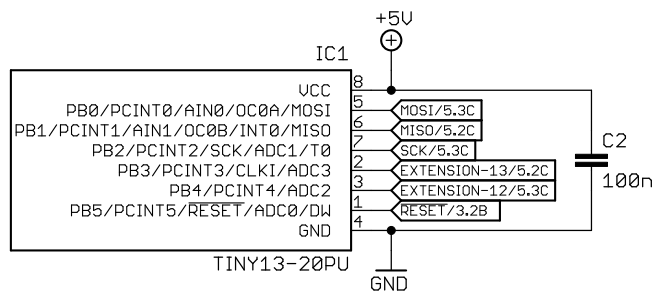
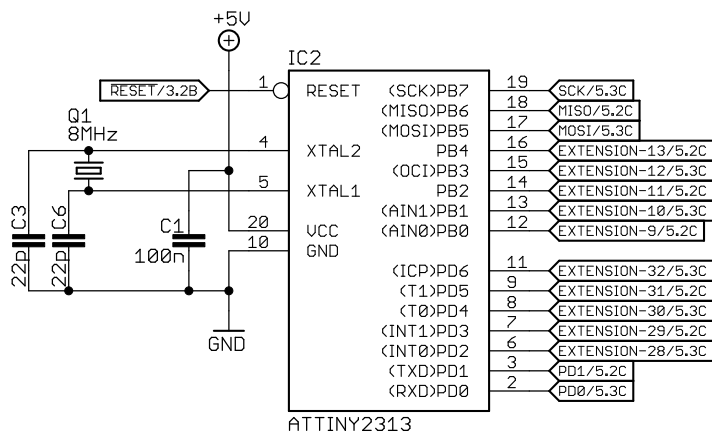
**eHaJo**   
**Hannes Jochriem**

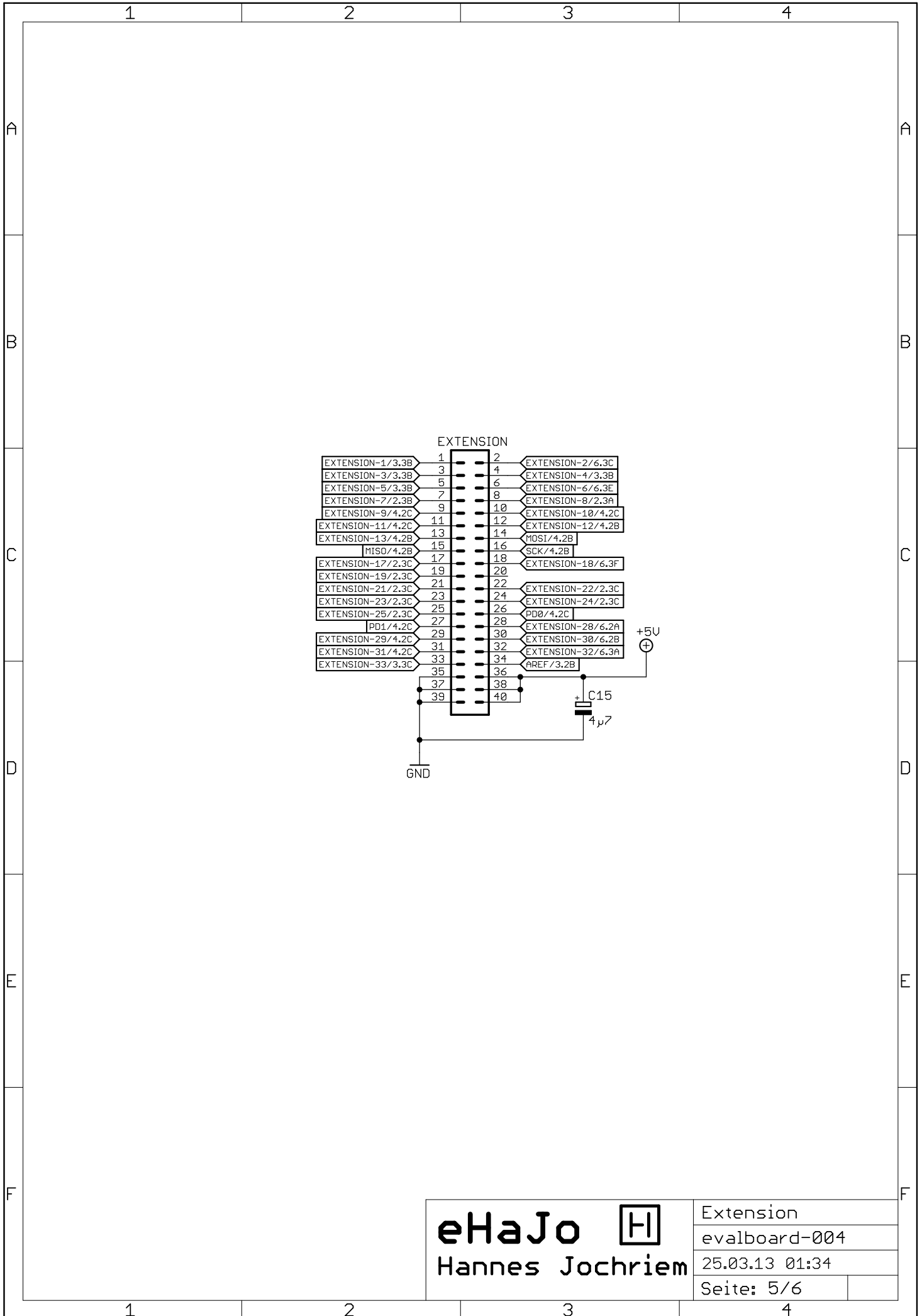
Mega16  
evalboard-004  
25.03.13 01:34  
Seite: 2/6

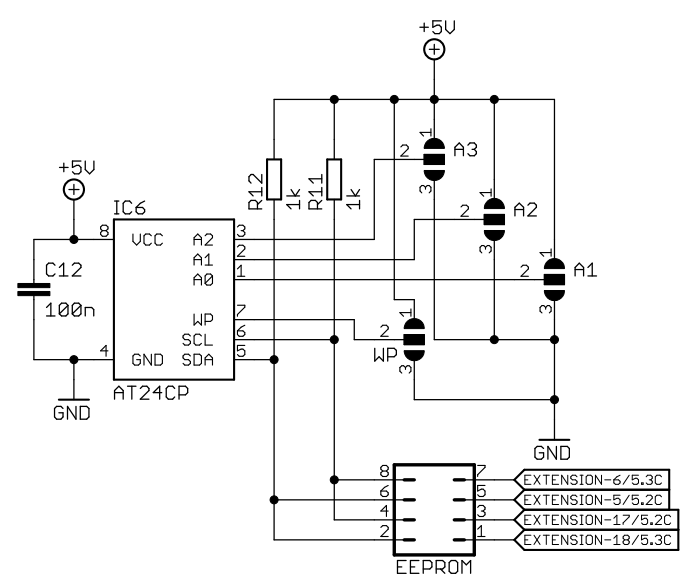
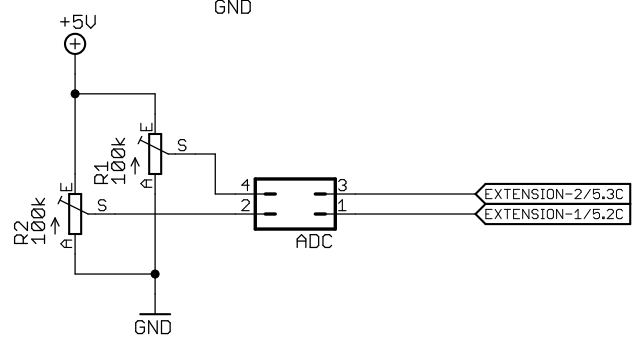
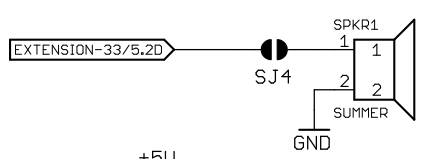
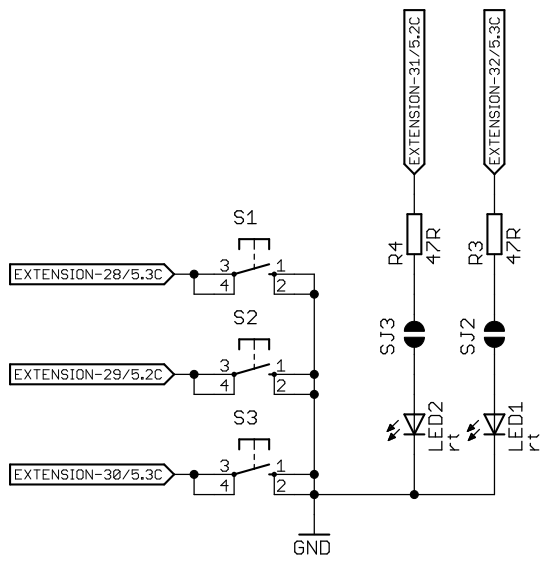


**eHaJo**   
**Hannes Jochriem**

Atmega8  
evalboard-004  
25.03.13 01:34  
Seite: 3/6







**eHaJo**   
**Hannes Jochriem**

Addons  
 evalboard-004  
 25.03.13 01:34  
 Seite: 6/6